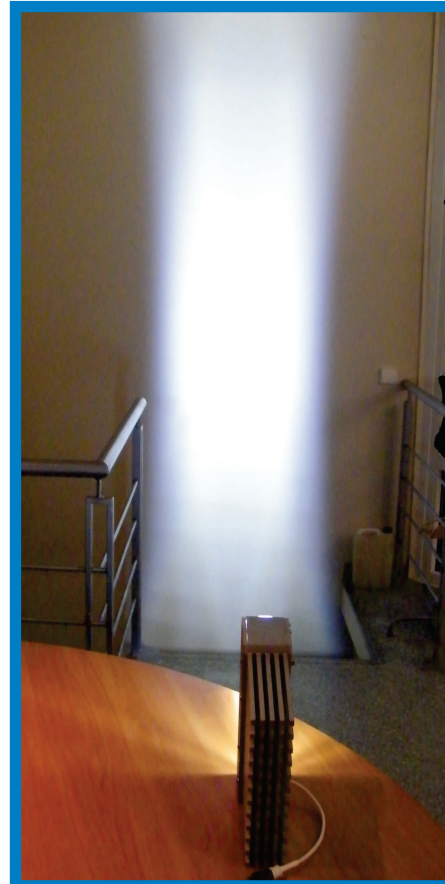


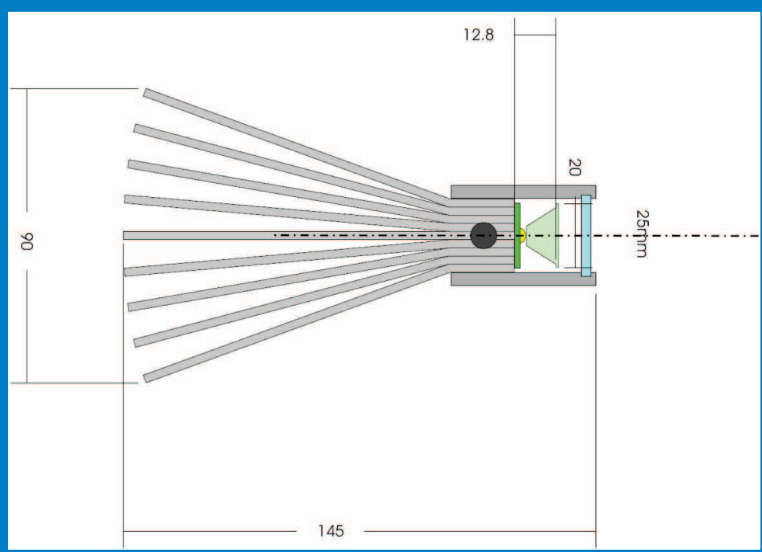
## LedLight

### ADVANTAGES

- Newest technology of LED diodes
- Product meets industrial requirements and is very high quality
- Illuminators are made of cells of 25 centimetres length (minimum length is 25 cm and there is no maximum)
- Each cell output power can be adjusted from 0% to 100% using modulator (using "LedLight Control" software)
- Modulator for power adjustment can be connected to LAN network or via Bluetooth
- More than 50.000 working hours
- Light source is > 7000lm
- Beam angle at 50% level – 45deg (angle can be adjusted by selecting desired lenses)
- Operating temperature -30 - + 50,
- Security class: Ip65
- Power source: 48V DC



### DIMENSIONS



### LedLight Control

